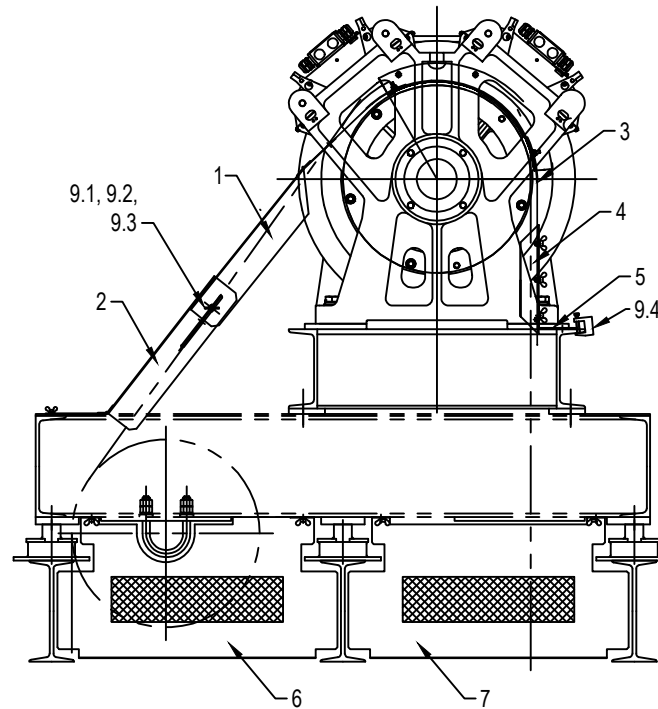
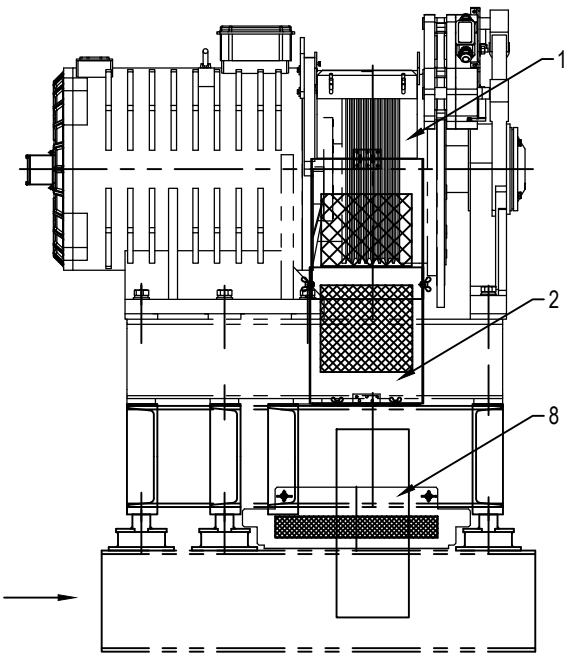


Side View

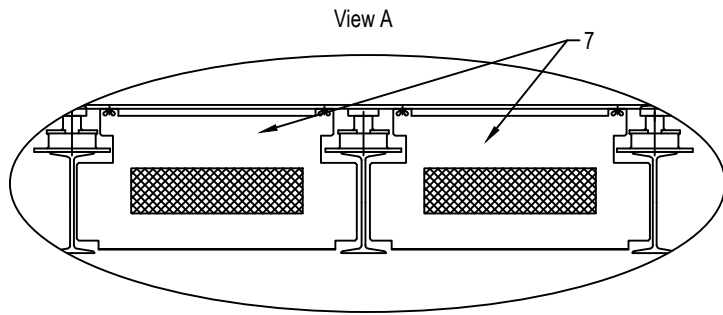


Front View



Side View

Copyright - All information contained in this drawing is property of Standard Elevator Systems LLC



View A

**BILL OF MATERIAL**

SR.	PART #	DESCRIPTION	QTY
1	SRG-TGL2-001	TGL2 Deflector Side Upper Rope Guard	1
2	SRG-TGL2-002	TGL2 Deflector Side Lower Rope Guard	1
3	SRG-TGL2-003	TGL2 Car Side Upper Rope Guard	1
4	SRG-TGL2-004	TGL2 Car Side Lower Rope Guard	1
5	SRG-TGL2-005	TGL2 Car Side Rope Guard Bracket	1
6	SRG-SBLT-008	Deflector Sheave Guard for SBLT-TGL2	1
7	SRG-SBLT-005	Bedplate Guard for SBLT-TGL2	3
8	SRG-SBLT-006	Bedplate Side Guard for SBLT-TGL2	1
9	SRG-HWD-TGL2	Hardware Kit for TGL2	1
	9.1	Wing Bolts M6x16	24
	9.2	Lock washer Ø6	24
	9.3	Flat washer Ø6	24
	9.4	Beam Clamp	2

DRAWING NO: SRG-TGL2 Sheet 1 of 1

DESCRIPTION: TGL2 Standard Rope Guard Kit

MATERIALS: ASSEMBLY Scale: NTS

All Dimensions are in mm [Inches]

Date	Rev.	ECO #	Des/App
8/11/20	-	-	LH/KB

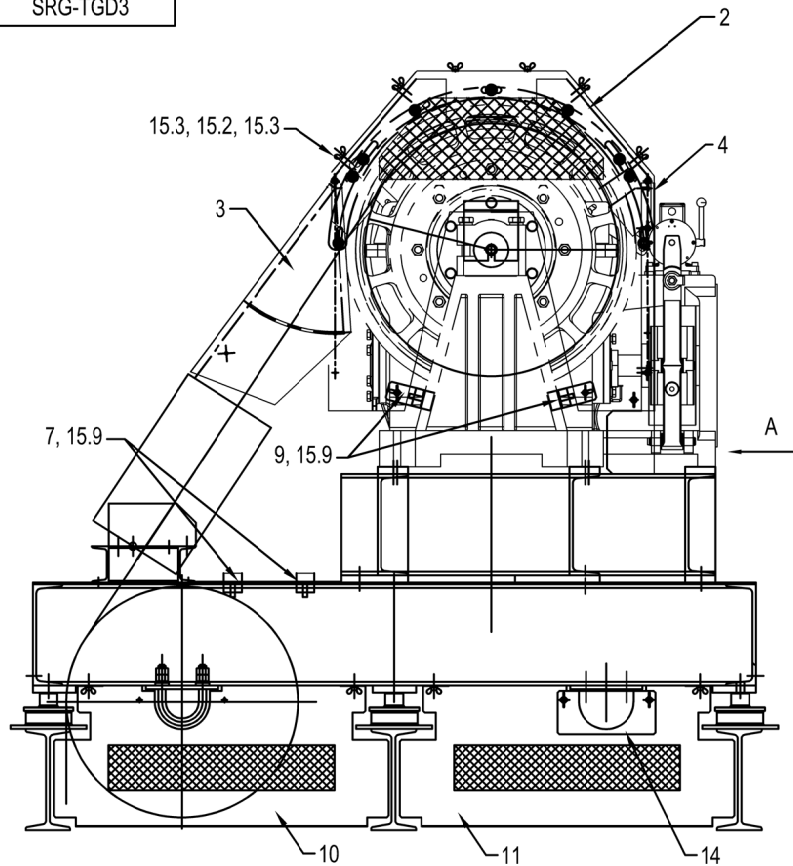
**GENERAL TOLERANCES:**

>6-30mm: ±0.2 [0.008]  
 >30-120mm: ±0.3 [0.012]  
 >120-400mm: ±0.5 [0.020]  
 >400-1000mm: ±0.8 [0.031]  
 >1000-2000mm: ±1.2 [0.047]

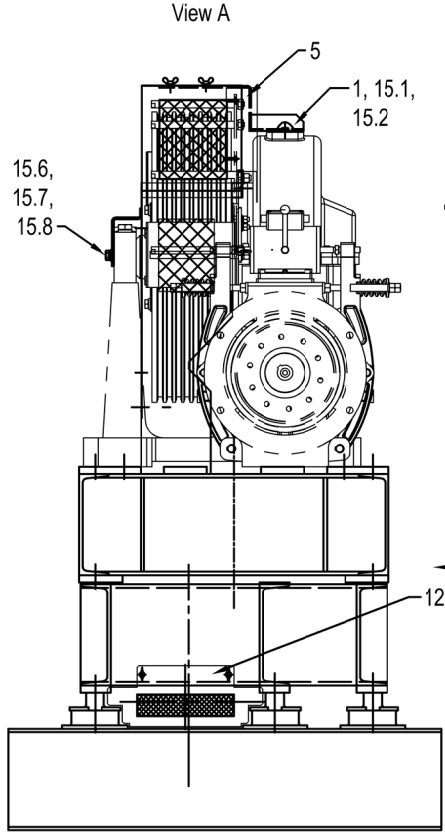
UNLESS SHOWN OTHERWISE



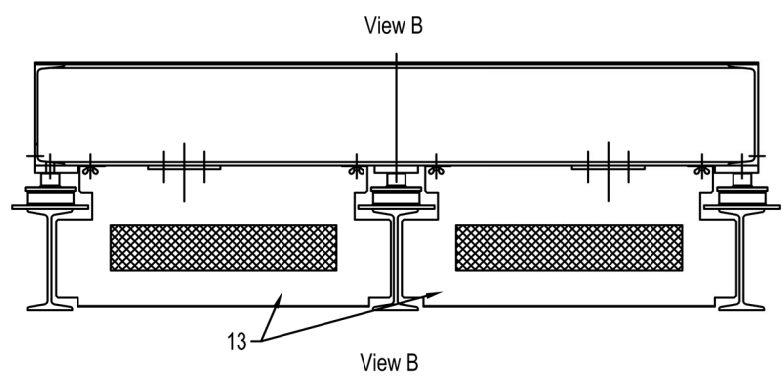
www.standard-elevator.com  
 4949 E. Raines Road #101  
 Memphis, TN 38118  
 Phone: 1-877-622-2888  
 Fax: 901-290-1680



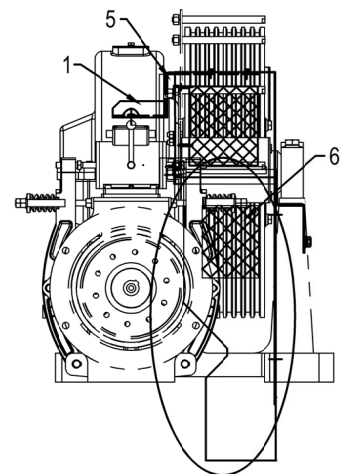
Side View



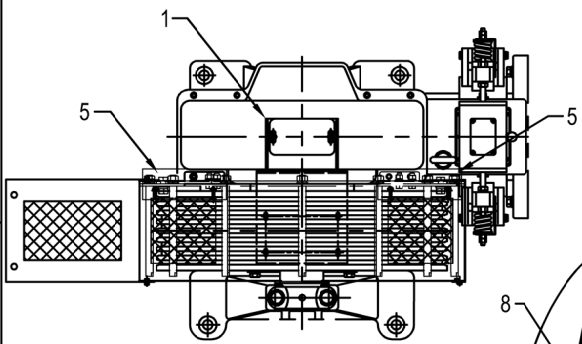
Front View



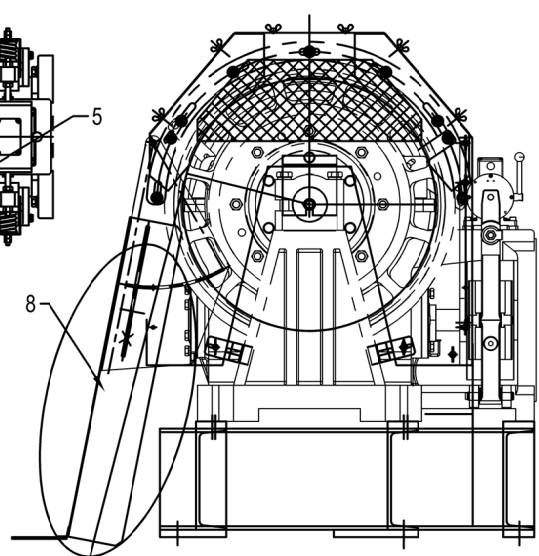
View B



View A



Top View




Without Rope Gripper

NOTES:

1. No motor shown for clarity.
2. Use Item #8 if no Rope Gripper is used. (No bedplate shown for clarity.)
3. Works for Rope Drops Between 40" and 70"

Copyright - All information contained in this drawing is property of Torin Drive North America

DRAWING NO: SRG-TGD3		Sheet 1 of 2	
DESCRIPTION: TGD3 Rope Guard Kit			
		MATERIALS: ASSEMBLY	Scale: NTS
All Dimensions are in mm [Inches]			
Date	Rev.	ECO #	Des/App
8/11/20	-	-	LH/JB
1/27/22	A	-	CS/SY
1/12/24	B	24ECO0021	DN/BG

GENERAL TOLERANCES:

>6-30mm:	±0.2 [0.008]
>30-120mm:	±0.3 [0.012]
>120-400mm:	±0.5 [0.020]
>400-1000mm:	±0.8 [0.031]
>1000-2000mm:	±1.2 [0.047]

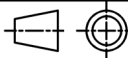


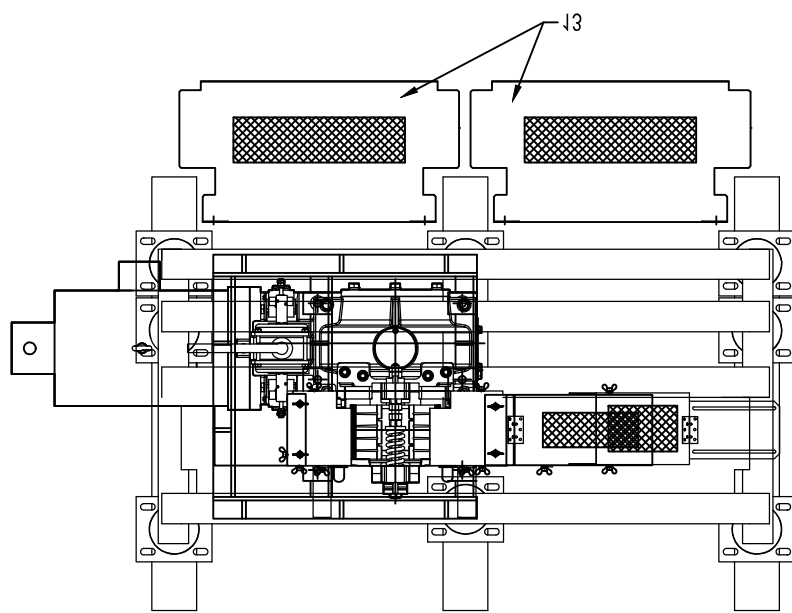
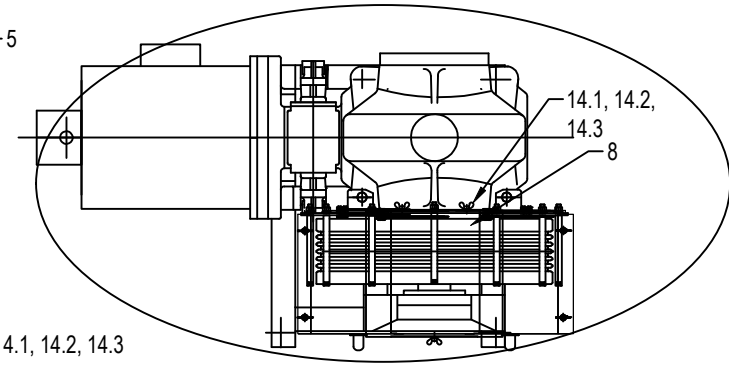
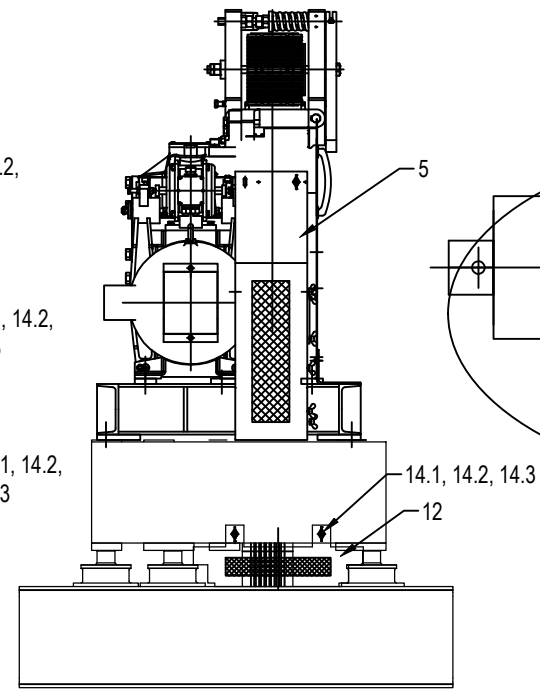
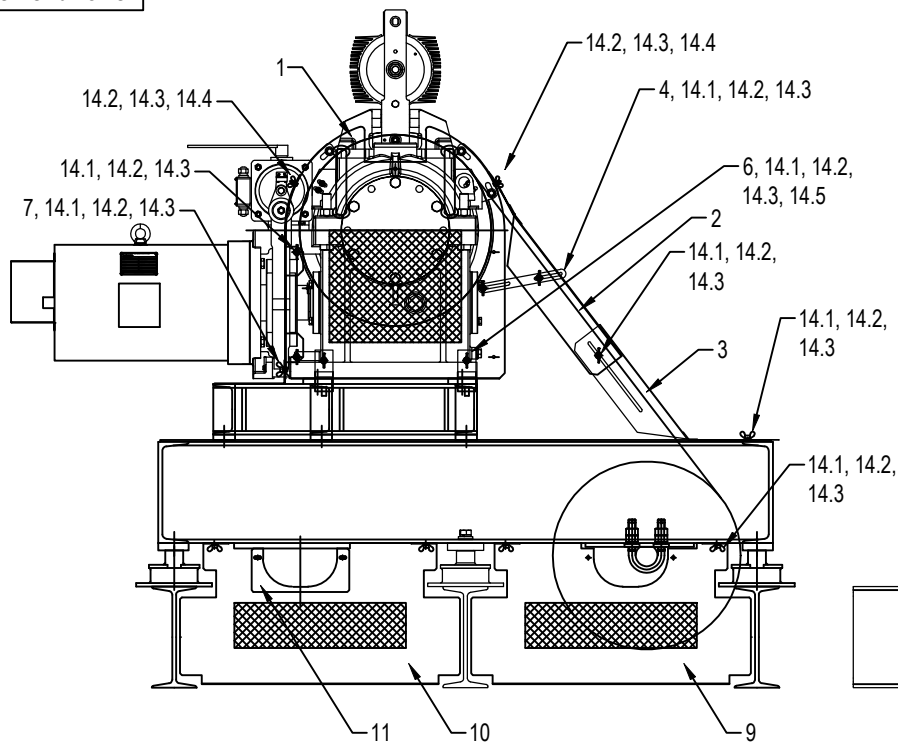
www.torindrivena.com  
 4949 E. Raines Road #101  
 Memphis, TN 38118  
 Phone: 1-877-622-2888  
 Fax: 901-290-1680

UNLESS SHOWN OTHERWISE

BILL OF MATERIAL			
SR.	PART #	DESCRIPTION	QTY
1	SRG-TGD3-001	TGD3 Rope Guard Top Bracket	1
2	SRG-TGD3-002	TGD3 Main Rope Guard	1
3	SRG-TGD3-003	TGD3 Deflector Side Rope Guard	1
4	SRG-TGD3-004	TGD3 Car Side Main Rope Guard for Left Hand Machines	1
5	SRG-TGD3-005	TGD3 Gearbox Side Upper Rope Guard	2
6	SRG-TGD3-006	TGD3 Car Side Main Rope Guard for Right Hand Machines	1
7	SRG-SBLT-Cover-006	TGD3 Bedplate Top Cover 6	2
8	SRG-TGD3-008	TGD3 Deflector Side Lower Rope Guard	1
9	SRG-TGD3-009	TGD3 Rope Guard L Bracket	2
10	SRG-SBLT-002	Deflector Sheave Guard for SBLT-TGD3-Left	1
11	SRG-SBLT-003	Deflector Sheave Guard for SBLT-TGD3-Right	1
12	SRG-SBLT-004	Bedplate Side Guard for SBLT-TGD3	2
13	SRG-SBLT-007	Bedplate Back Guard for SBLT-TGD3	2
14	SRG-SBLT-Long-003	Deflector Hole Cover for SBLT-Long-TGD/TMGL	1
15	SRG-HWD-TGD3	Hardware Kit for TGD3 Rope Guard	1
	15.1	M10x25 Bolt	1
	15.2	Lock Washer M10	1
	15.3	Wing Bolts M6x16	40
	15.4	Lock washer Ø6	40
	15.5	Flat washer Ø6	40
	15.6	M16x36 Bolt	1
	15.7	Lock washer Ø16	1
	15.8	Flat washer Ø16	1
	15.9	Beam Clamp	4


Copyright - All information contained in this drawing is property of Torin Drive North America

DRAWING NO: SRG-TGD3		Sheet 2 of 2	
DESCRIPTION: TGD3 Rope Guard Kit		GENERAL TOLERANCES:	
		>6-30mm: ±0.2 [0.008] >30-120mm: ±0.3 [0.012] >120-400mm: ±0.5 [0.020] >400-1000mm: ±0.8 [0.031] >1000-2000mm: ±1.2 [0.047]	
MATERIALS: ASSEMBLY		Scale: NTS	
All Dimensions are in mm [Inches]			
Date	Rev.	ECO #	Des/App
8/11/20	-	-	LH/JB
1/27/22	A	-	CS/SY
1/12/24	B	24ECO0021	DN/BG
		UNLESS SHOWN OTHERWISE	
		<b>TORINDRIVE</b> NORTH AMERICA <small>A Brand of HYPERION</small> <a href="http://www.torindrivena.com">www.torindrivena.com</a> 4949 E. Raines Road #101 Memphis, TN 38118 Phone: 1-877-622-2888 Fax: 901-290-1680	

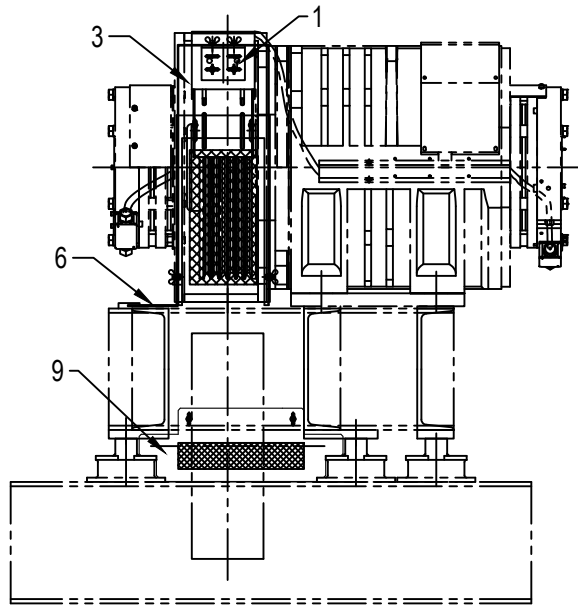


BILL OF MATERIAL			
SR.	PART #	DESCRIPTION	QTY
1	SRG-TGD0-001	TGD0 Main Sheave Guard	1
2	SRG-TGD0-002	TGD0 Deflector Side Upper Rope Guard	1
3	SRG-TGD0-Long-001	TGD0 Deflector Side Lower Rope Guard	1
4	SRG-TGD-001	TGD Rope Guard Support Plate	1
5	SRG-TGD0-003	TGD0 Car Side Rope Guard	1
6	SRG-TGD0-004	TGD0 Rope Guard L Bracket	1
7	SRG-SBLT-Cover-005	Riser Top Cover for TGD0	1
8	SRG-TGD0-005	TGD0 Sheave Brake Cover	1
9	SRG-SBLT-Long-001	Deflector Sheave Guard for SBLT-Long-TGD/TMGL-Right	1
10	SRG-SBLT-Long-002	Deflector Sheave Guard for SBLT-Long-TGD/TMGL-Left	1
11	SRG-SBLT-Long-003	Deflector Hole Cover for SBLT-Long-TGD/TMGL	1
12	SRG-SBLT-001	Bedplate Side Guard for SBLT-Long-TGD/TMGL and SBLT-Short-TGD	2
13	SRG-SBLT-Long-004	Bedplate Back Guard for SBLT-Long-TGD/TMGL	2
14	SRG-HWD-TGD	Hardware Kit for TGD1/TGD2 Rope Guard	1
	14.1	Wing Bolts M6x16	30
	14.2	Lock washer Ø6	34
	14.3	Flat washer Ø6	34
	14.4	Wing nut M6	4
	14.5	Beam Clamp	2

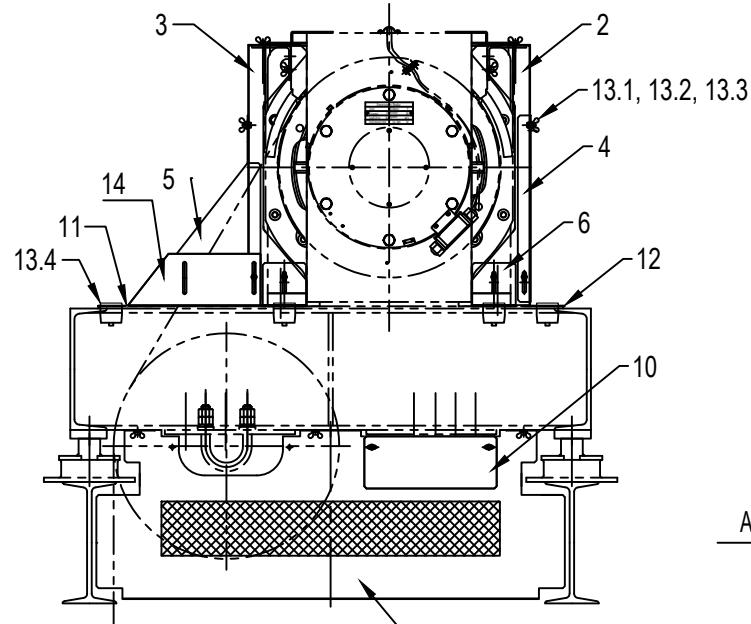
Copyright - All information contained in this drawing is property of Standard Elevator Systems LLC

DRAWING NO: SRG-TGD0-LONG		Sheet 1 of 1		GENERAL TOLERANCES:	
DESCRIPTION: TGD0 Long Rope Guard Kit				>6-30mm: ±0.2 [0.008] >30-120mm: ±0.3 [0.012] >120-400mm: ±0.5 [0.020] >400-1000mm: ±0.8 [0.031] >1000-2000mm: ±1.2 [0.047]	
MATERIALS: ASSEMBLY		Scale: NTS		UNLESS SHOWN OTHERWISE  www.standard-elevator.com 4949 E. Raines Road #101 Memphis, TN 38118 Phone: 1-877-622-2888 Fax: 901-290-1680	
All Dimensions are in mm [Inches]					
Date: 7/3/17	Rev: -	Des. By: Lee H.	App. By: Josh S.		

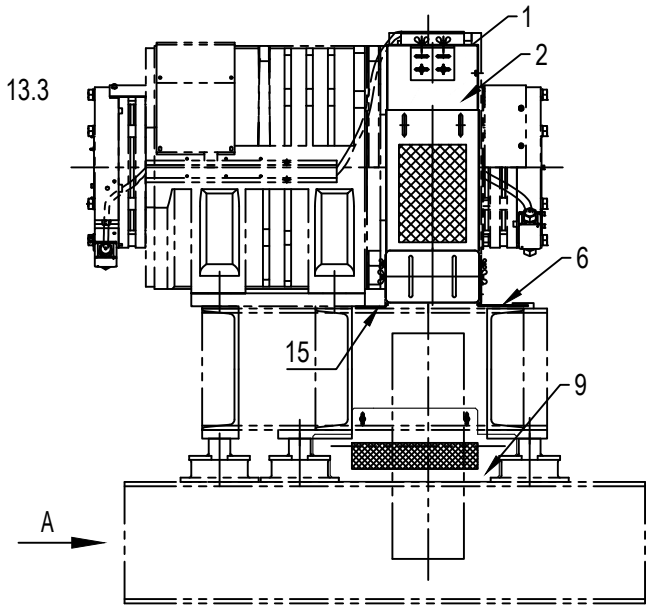
SRG-TMGL-Short



Left View

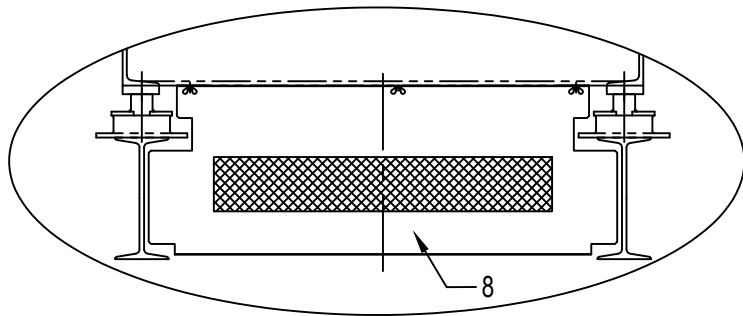


Side View



Right View

View A



Note: Works for Rope Drops Between 29" and 38"

Copyright - All information contained in this drawing is property of Torin Drive North America

DRAWING NO: SRG-TMGL-Short		Sheet 1 of 2	
DESCRIPTION: TMGL Standard Rope Guard Short Bedplate			
		MATERIALS: ASSEMBLY	Scale: NTS
All Dimensions are in mm [Inches]			
Date	Rev.	ECO #	Des/App
12/09/21	B	-	CS/SY
12/15/22	C	22ECO0010	JY

GENERAL TOLERANCES:  
 >6-30mm: ±0.2 [0.008]  
 >30-120mm: ±0.3 [0.012]  
 >120-400mm: ±0.5 [0.020]  
 >400-1000mm: ±0.8 [0.031]  
 >1000-2000mm: ±1.2 [0.047]

UNLESS SHOWN OTHERWISE

**TORINDRIVE**  
 NORTH AMERICA  
A Brand of HYPERION

www.torindrivena.com  
 4949 E. Raines Road #101  
 Memphis, TN 38118  
 Phone: 1-877-622-2888  
 Fax: 901-290-1680

A

B

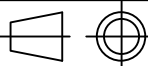
C

D

E

BILL OF MATERIAL			
SR.	PART #	DESCRIPTION	QTY
1	SRG-TMGL-001	TMGL L Bracket	2
2	SRG-TMGL-010	TMGL Right Sheave Cover for Short Bedplate	1
3	SRG-TMGL-011	TMGL Left Sheave Cover for Short Bedplate	1
4	SRG-TMGL-012	TMGL Car Side Mesh Cover for Short Bedplate	1
5	SRG-TMGL-013	TMGL Deflector Side Rope Guard for Short Bedplate	1
6	SRG-TMGL-014	Rope Guard Mounting Bracket for SBLT-Short-TMGL	2
7	SRG-SBLT-Short-004	Deflector Sheave Guard for SBLT-Short-TMGL	1
8	SRG-SBLT-Short-005	Back Side Guard for SBLT-Short-TMGL	1
9	SRG-SBLT-001	Bedplate Side Guard for SBLT-Long-TGD/TMGL and SBLT-Short-TGD	1
10	SRG-SBLT-Short-002	Deflector Hole Cover for SBLT-Short-TGD/TMGL	1
11	SRG-TMGL-015	Bedplate Top Cover 1 for SBLT-Short-TMGL	1
12	SRG-TMGL-016	Bedplate Top Cover 2 for SBLT-Short-TMGL	2
13	SRG-HWD-TMGL	Hardware kit for TMGL Rope Guard	1
		13.1 Wing Bolts M6x16	50
		13.2 Lock washer Ø6	50
		13.3 Flat washer Ø6	50
		13.4 Beam Clamp	8
14	SRG-TMGL-023	TMGL Short Deflector Side Cover 1	1
15	SRG-TMGL-024	TMGL Short Deflector Side Cover 2	1

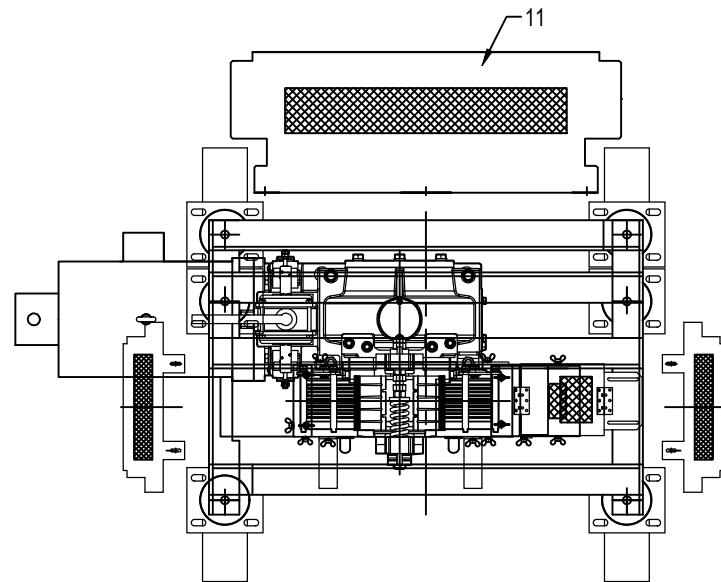
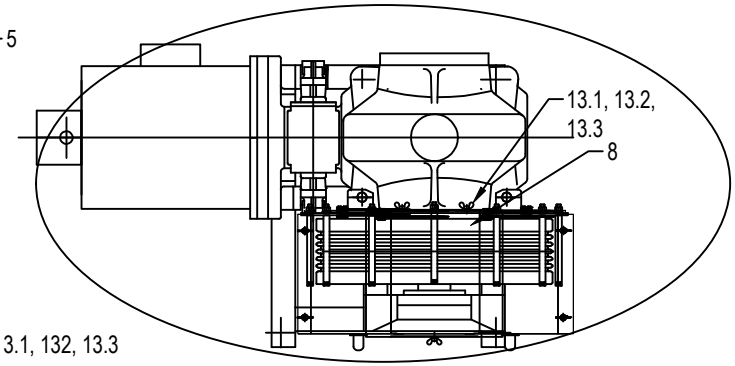
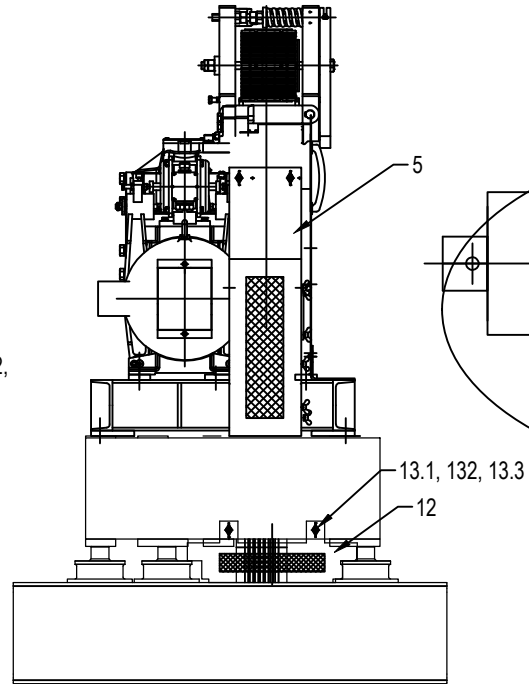
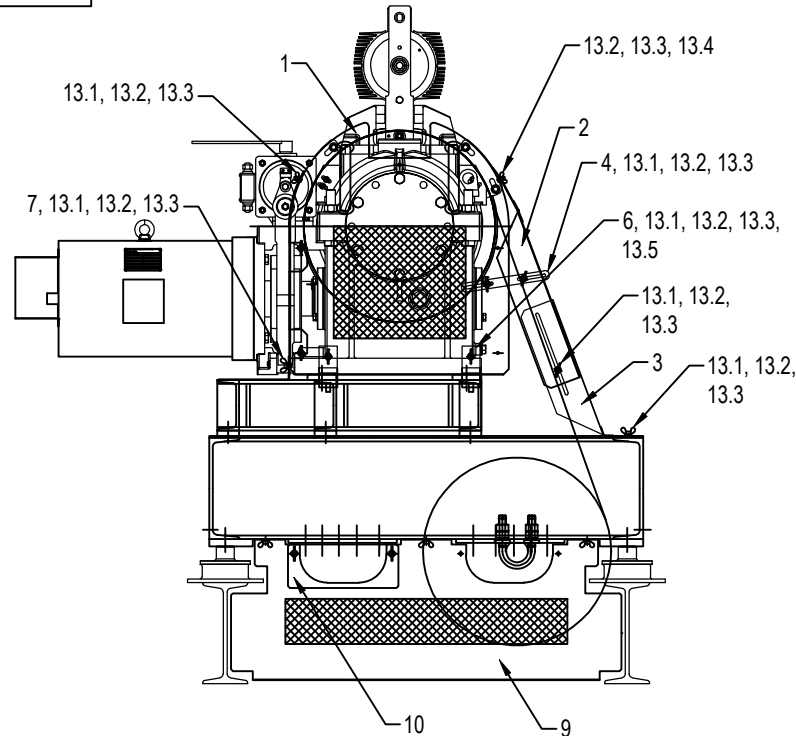
Copyright - All information contained in this drawing is property of Torin Drive North America

DRAWING NO: SRG-TMGL-Short		Sheet 2 of 2	
DESCRIPTION: TMGL Standard Rope Guard Short Bedplate			
	<u>MATERIALS:</u> ASSEMBLY	<u>Scale:</u> NTS	GENERAL TOLERANCES:  >6-30mm: ±0.2 [0.008] >30-120mm: ±0.3 [0.012] >120-400mm: ±0.5[0.020] >400-1000mm: ±0.8 [0.031] >1000-2000mm: ±1.2 [0.047]
All Dimensions are in mm [Inches]			
Date	Rev.	ECO #	Des/App
12/09/21	B	-	CS/SY
12/15/22	C	22ECO0010	JY

**TORINDRIVE**  
NORTH AMERICA  
A Brand of HYPERION

www.torindrivena.com  
4949 E. Raines Road #101  
Memphis, TN 38118  
Phone: 1-877-622-2888  
Fax: 901-290-1680

UNLESS SHOWN OTHERWISE



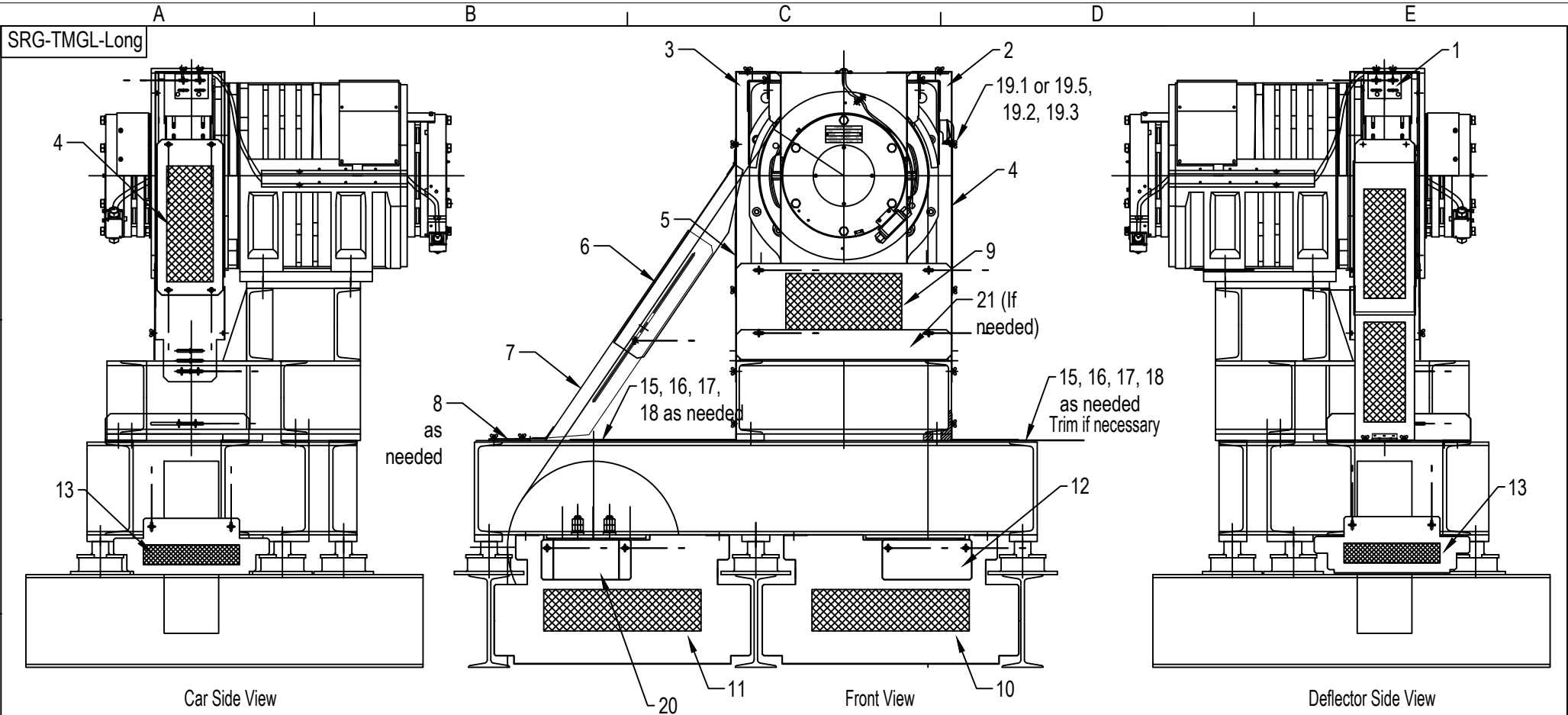
BILL OF MATERIAL			
SR.	PART #	DESCRIPTION	QTY
1	SRG-TGD0-001	TGD0 Main Sheave Guard	1
2	SRG-TGD0-002	TGD0 Deflector Side Upper Rope Guard	1
3	SRG-TGD0-Short-001	TGD0 Deflector Side Lower Rope Guard -Short	1
4	SRG-TGD-001	TGD Rope Guard Support Plate	1
5	SRG-TGD0-003	TGD0 Car Side Rope Guard	1
6	SRG-TGD0-004	TGD0 Rope Guard L Bracket	1
7	SRG-SBLT-Cover-005	Riser Top Cover for TGD0	1
8	SRG-TGD0-005	TGD0 Sheave Brake Cover	1
9	SRG-SBLT-Short-001	Deflector Sheave Guard for SBLT-Short-TGD	1
10	SRG-SBLT-Short-002	Deflector Hole Cover for SBLT-Short-TGD	1
11	SRG-SBLT-Short-003	Bedplate Back Guard for SBLT-Short-TGD	1
12	SRG-SBLT-001	Bedplate Side Guard for SBLT-Long-TGD/TMGL and SBLT-Short-TGD	2
13	SRG-HWD-TGD	Hardware Kit for TGD1/TGD2 Rope Guard	1
	13.1	Wing Bolts M6x16	30
	13.2	Lock washer Ø6	34
	13.3	Flat washer Ø6	34
	13.4	Wing nut M6	4
	13.5	Beam Clamp	2

Copyright - All information contained in this drawing is property of Standard Elevator Systems LLC

DRAWING NO: SRG-TGD0-SHORT		Sheet 1 of 1		GENERAL TOLERANCES:	
DESCRIPTION: TGD0 Short Rope Guard Kit				>6-30mm: ±0.2 [0.008]	
				>30-120mm: ±0.3 [0.012]	
				>120-400mm: ±0.5 [0.020]	
MATERIALS: ASSEMBLY Scale: NTS All Dimensions are in mm [Inches]				>400-1000mm: ±0.8 [0.031]	
				>1000-2000mm: ±1.2 [0.047]	
Date	Rev.	Des. By	App. By	UNLESS SHOWN OTHERWISE	
06/07/08	-	Lee H.	Shan Y.		



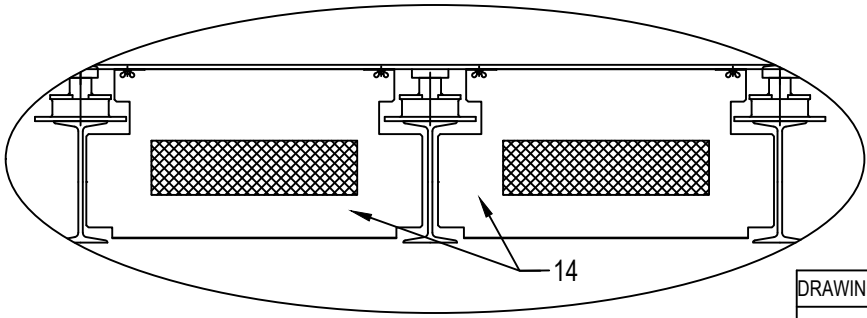
www.standard-elevator.com  
 4949 E. Raines Road #101  
 Memphis, TN 38118  
 Phone: 1-877-622-2888  
 Fax: 901-290-1680



Car Side View

Front View

Deflector Side View



View A

Note: Works for Rope Drops Between 30" and 58"

Copyright - All information contained in this drawing is property of Standard Elevator Systems LLC

DRAWING NO:		SRG-TMGL-Long		Sheet 1 of 2	
DESCRIPTION:		TMGL Standard Rope Guard			
		MATERIALS:		Scale:	
		ASSEMBLY		NTS	
All Dimensions are in mm [Inches]					
Date	Rev.	ECO #	Des/App		
8/11/20	C	-	LH/JZ		
12/09/21	D	-	CS/SY		

GENERAL TOLERANCES:

- >6-30mm: ±0.2 [0.008]
- >30-120mm: ±0.3 [0.012]
- >120-400mm: ±0.5 [0.020]
- >400-1000mm: ±0.8 [0.031]
- >1000-2000mm: ±1.2 [0.047]



www.standard-elevator.com  
 4949 E. Raines Road #101  
 Memphis, TN 38118  
 Phone: 1-877-622-2888  
 Fax: 901-290-1680

UNLESS SHOWN OTHERWISE



A

B

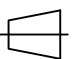

C

D

E

BILL OF MATERIAL			
SR.	PART #	DESCRIPTION	QTY
1	SRG-TMGL-001	TMGL L Bracket	2
2	SRG-TMGL-002	TMGL Sheave Cover-Right	1
3	SRG-TMGL-003	TMGL Sheave Cover-Left	1
4	SRG-TMGL-004	TMGL Car Side Mesh Cover	1
5	SRG-TMGL-005	TMGL Deflector Side Sheave Cover	1
6	SRG-TMGL-006	TMGL Deflector Side Rope Guard-Upper	1
7	SRG-TMGL-007	TMGL Deflector Side Rope Guard-Lower	1
8	SRG-TMGL-008	TMGL Deflector Side Connecting Plate	1
9	SRG-TMGL-009	TMGL Front Mesh Cover	1
10	SRG-SBLT-Long-001	Deflector Sheave Guard for SBLT-Long-TGD/TMGL-Right	1
11	SRG-SBLT-Long-002	Deflector Sheave Guard for SBLT-Long-TGD/TMGL-Left	1
12	SRG-SBLT-Long-003	Deflector Hole Cover for SBLT-Long-TGD/TMGL	1
13	SRG-SBLT-001	Bedplate Side Guard for SBLT-Long-TGD/TMGL and SBLT-Short-TGD	2
14	SRG-SBLT-Long-004	Bedplate Back Guard for SBLT-Long-TGD/TMGL	2
15	SRG-SBLT-Cover-001	Bedplate Top Cover 1 for SBLT-Long-TGD/TMGL	1
16	SRG-SBLT-Cover-002	Bedplate Top Cover 2 for SBLT-Long-TGD/TMGL	1
17	SRG-SBLT-Cover-003	Bedplate Top Cover 3 for SBLT-Long-TGD/TMGL	1
18	SRG-SBLT-Cover-004	Bedplate Top Cover 4 for SBLT-Long-TGD/TMGL	1
19	SRG-HWD-TMGL	Hardware kit for TMGL Rope Guard	1
	19.1	Wing Bolts M6x16	60
	19.2	Lock washer Ø6	60
	19.3	Flat washer Ø6	60
	19.4	Beam Clamp	8
	19.5	M6x20 Hex HeadBolt	60
20	SRG-SBLT-009	Deflector Shaft Cover	1
21	SRG-TMGL-018	TMGL Lower Front Cover	1
22	-	Copy of Standard TMGL Rope Guard Installation Instructions	1

Copyright - All information contained in this drawing is property of Standard Elevator Systems LLC

DRAWING NO: SRG-TMGL-Long		Sheet 2 of 2	
DESCRIPTION: TMGL Standard Rope Guard			
		MATERIALS: ASSEMBLY	Scale: NTS
All Dimensions are in mm [Inches]			
Date	Rev.	ECO #	Des/App
8/11/20	C	-	LH/JZ
12/09/21	D	-	CS/SY

GENERAL TOLERANCES:

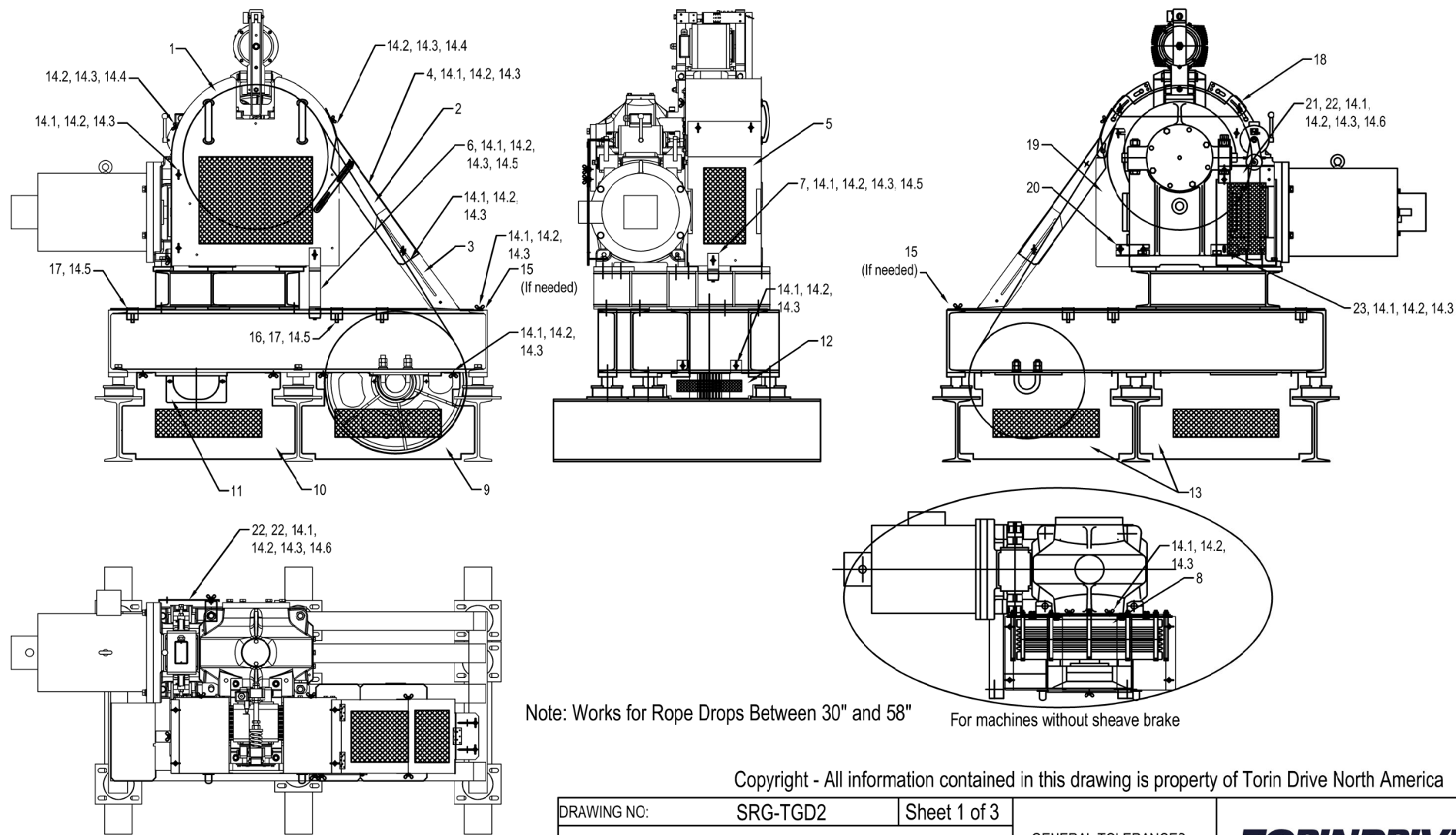
>6-30mm: ±0.2 [0.008]  
 >30-120mm: ±0.3 [0.012]  
 >120-400mm: ±0.5 [0.020]  
 >400-1000mm: ±0.8 [0.031]  
 >1000-2000mm: ±1.2 [0.047]

UNLESS SHOWN OTHERWISE



www.standard-elevator.com  
 4949 E. Raines Road #101  
 Memphis, TN 38118  
 Phone: 1-877-622-2888  
 Fax: 901-290-1680

TGD2 LONG ROPE GUARD



Note: Works for Rope Drops Between 30" and 58"

For machines without sheave brake

Copyright - All information contained in this drawing is property of Torin Drive North America

DRAWING NO:		SRG-TGD2	Sheet 1 of 3
DESCRIPTION:		TGD2 Rope Guard Kit	
		<b>MATERIALS:</b> ASSEMBLY	<b>Scale:</b> NTS
All Dimensions are in mm [Inches]			
Date	Rev.	ECO #	Des/App
05/12/20	-	-	LH/BG
2/7/22	A	-	CS/SY
01/10/24	B	24ECO0021	DN/BG

**GENERAL TOLERANCES:**

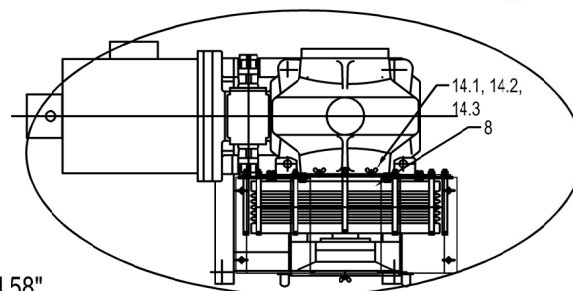
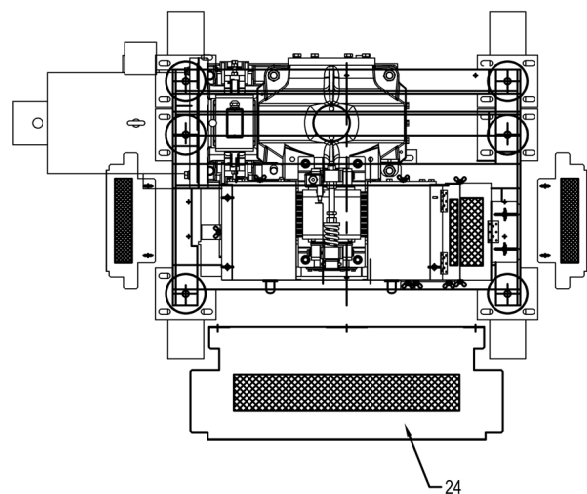
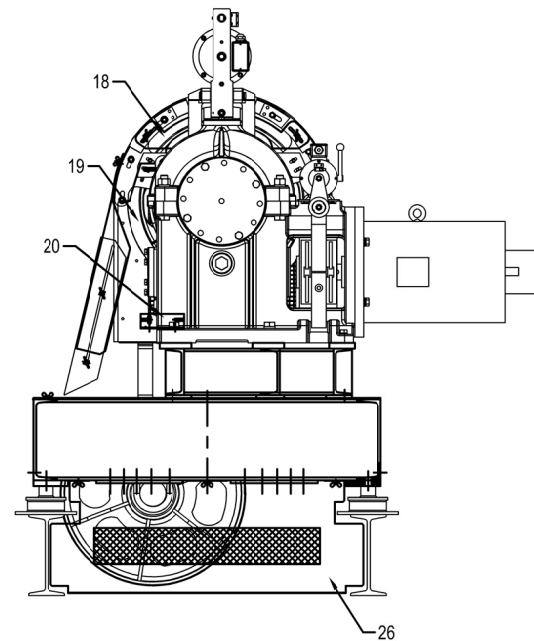
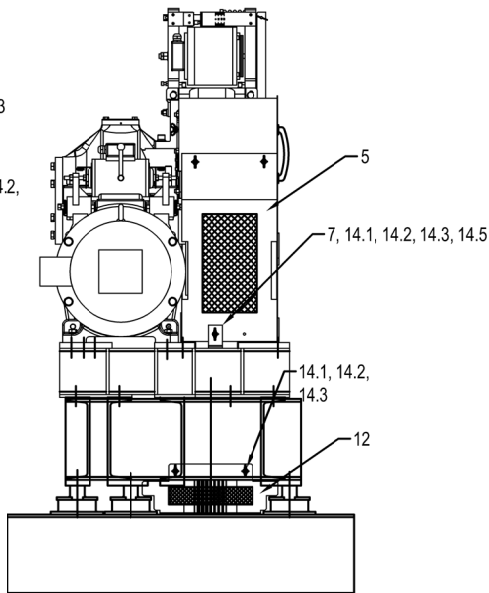
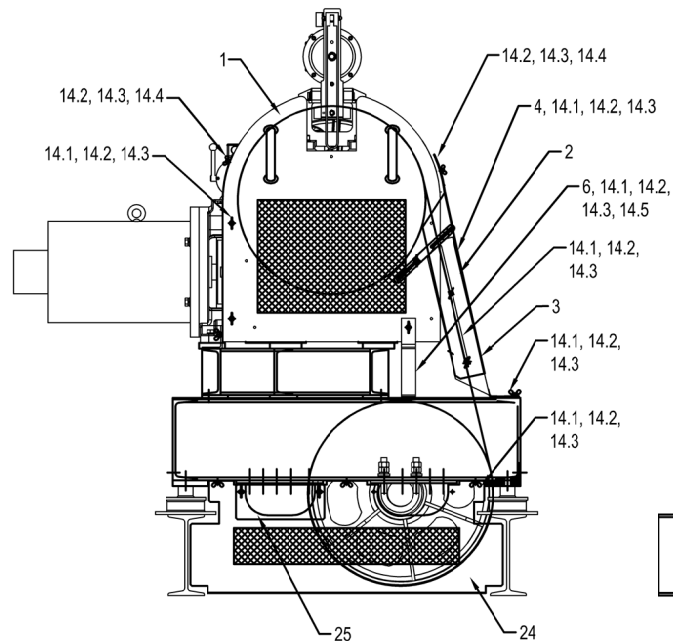
>6-30mm:	±0.2 [0.008]
>30-120mm:	±0.3 [0.012]
>120-400mm:	±0.5 [0.020]
>400-1000mm:	±0.8 [0.031]
>1000-2000mm:	±1.2 [0.047]



[www.torindrivena.com](http://www.torindrivena.com)  
 4949 E. Raines Road #101  
 Memphis, TN 38118  
 Phone: 1-877-622-2888  
 Fax: 901-290-1680

UNLESS SHOWN OTHERWISE

TGD2 SHORT ROPE GUARD



Note: Works for Rope Drops Between 30" and 58"

Copyright - All information contained in this drawing is property of Torin Drive North America

DRAWING NO:		SRG-TGD2	Sheet 2 of 3
DESCRIPTION:		TGD2 Rope Guard Kit	
		<b>MATERIALS:</b> ASSEMBLY	<b>Scale:</b> NTS
All Dimensions are in mm [Inches]			
Date	Rev.	ECO #	Des/App
05/12/20	-	-	LH/BG
2/7/22	A	-	CS/SY
01/10/24	B	24ECO0021	DN/BG

GENERAL TOLERANCES:

- >6-30mm: ±0.2 [0.008]
- >30-120mm: ±0.3 [0.012]
- >120-400mm: ±0.5 [0.020]
- >400-1000mm: ±0.8 [0.031]
- >1000-2000mm: ±1.2 [0.047]

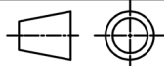
UNLESS SHOWN OTHERWISE



[www.torindrivena.com](http://www.torindrivena.com)  
 4949 E. Raines Road #101  
 Memphis, TN 38118  
 Phone: 1-877-622-2888  
 Fax: 901-290-1680

BILL OF MATERIAL				
SR.	PART #	DESCRIPTION	NOTE	QTY
1	SRG-TGD2-001	TGD2 Main Sheave Guard		1
2	SRG-TGD2-002	TGD2 Deflector Side Upper Rope Guard		1
3	SRG-TGD2-Long-001	TGD2 Deflector Side Lower Rope Guard	Long Kit Only	1
4	SRG-TGD-001	TGD Rope Guard Support Plate		1
5	SRG-TGD2-003	TGD2 Car Side Rope Guard		1
6	SRG-TGD2-004	TGD2 Rope Guard Long Bracket		1
7	SRG-TGD2-005	TGD2 Rope Guard L Bracket		1
8	SRG-TGD2-006	TGD2 Sheave Brake Cover		1
9	SRG-SBLT-Long-001	Deflector Sheave Guard for SBLT-Long-TGD/TMGL-Right	Long Kit Only	1
10	SRG-SBLT-Long-002	Deflector Sheave Guard for SBLT-Long-TGD/TMGL-Left	Long Kit Only	1
11	SRG-SBLT-Long-003	Deflector Hole Cover for SBLT-Long-TGD/TMGL	Long Kit Only	1
12	SRG-SBLT-001	Bedplate Side Guard for SBLT-Long-TGD/TMGL and SBLT-Short-TGD		2
13	SRG-SBLT-Long-004	Bedplate Back Guard for SBLT-Long-TGD/TMGL	Long Kit Only	2
14	SRG-HWD-TGD	Hardware Kit for TGD1/TGD2 Rope Guard		1
	14.1	Wing Bolts M6x16		50
	14.2	Lock washer Ø6		50
	14.3	Flat washer Ø6		50
	14.4	Wing nut M6		4
	14.5	Beam Clamp		8
	14.6	Nut M6		1
15	SRG-TMGL-008	TMGL Deflector Side Connecting Plate	Long Kit Only	2
16	SRG-SBLT-Cover-003	Bedplate Top Cover 3 for SBLT-Long-TGD/TMGL	Long Kit Only	1
17	SRG-SBLT-Cover-004	Bedplate Top Cover 4 for SBLT-Long-TGD/TMGL	Long Kit Only	2
18	SRG-TGD-002	TGD1/2 Rope Guard Plate		1
19	SRG-TGD-003	TGD1/2 Rear Rope Guard		1
20	SRG-TGD-004	TGD1/2 Rope Guard Rear Bracket		1
21	SRG-TGD-005	TGD1/2 Normal Brake Guard	Long Kit Only	1
22	SRGTGD-006	TGD1/2 Normal Brake Guard Bracket	Long Kit Only	1
23	SRGTGD-007	TGD1/2 Normal Brake Guard Lower Bracket	Long Kit Only	1
24	SRG-SBLT-Short-001	Deflector Sheave Guard for SBLT-Short-TGD	Short Kit Only	1
25	SRG-SBLT-Short-002	Deflector Hole Cover for SBLT-Short-TGD	Short Kit Only	1
26	SRG-SBLT-Short-003	Bedplate Back Guard for SBLT-Short-TGD	Short Kit Only	1

Copyright - All information contained in this drawing is property of Torin Drive North America

DRAWING NO:		SRG-TGD2	Sheet 3 of 3	
DESCRIPTION:		TGD2 Rope Guard Kit		
	MATERIALS: ASSEMBLY		Scale: NTS	
All Dimensions are in mm [Inches]				
Date	Rev.	ECO #	Des/App	
05/12/20	-	-	LH/BG	
2/7/22	A	-	CS/SY	
01/10/24	B	24ECO0021	DN/BG	

GENERAL TOLERANCES:

>6-30mm: ±0.2 [0.008]  
>30-120mm: ±0.3 [0.012]  
>120-400mm: ±0.5 [0.020]  
>400-1000mm: ±0.8 [0.031]  
>1000-2000mm: ±1.2 [0.047]

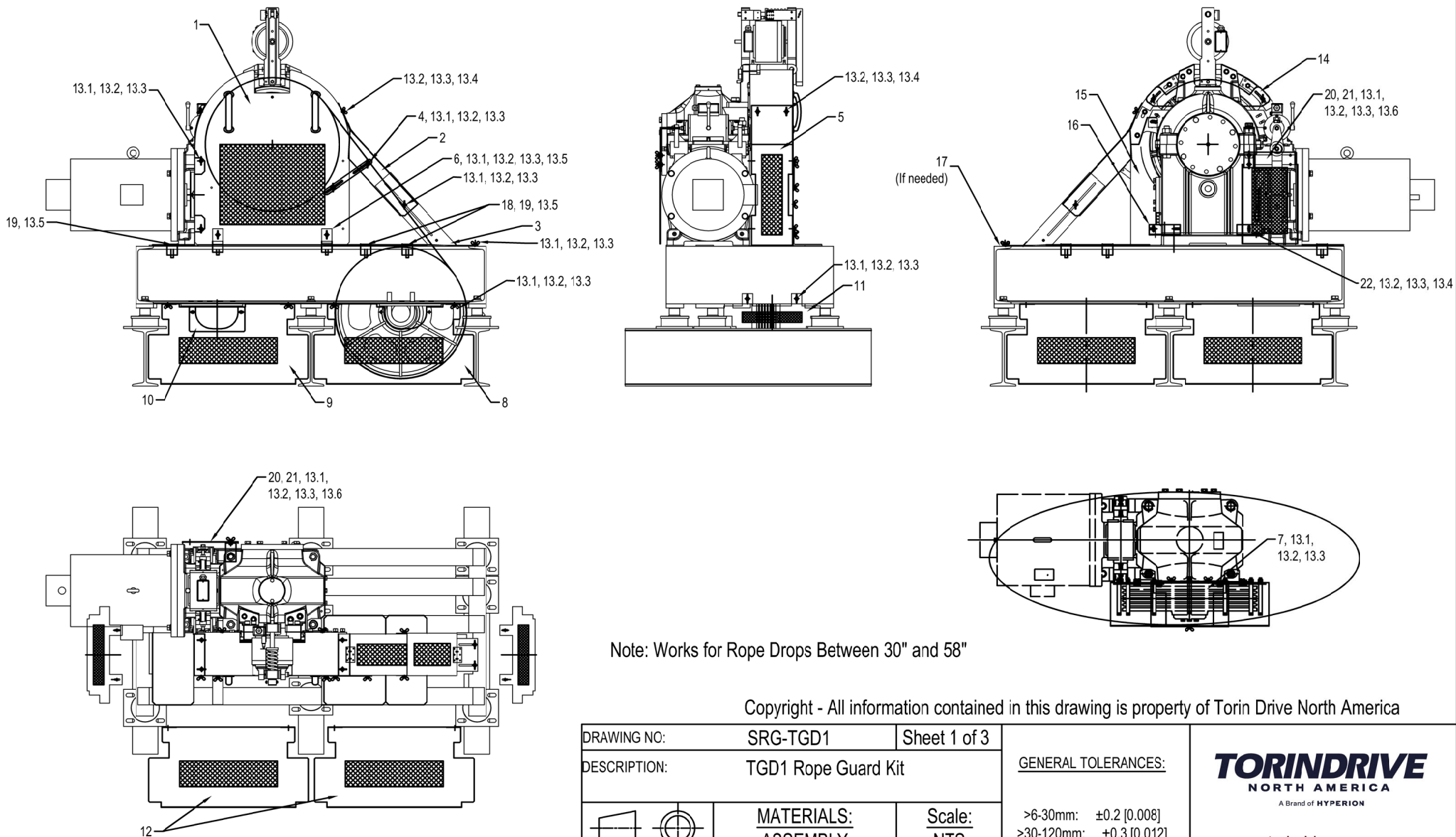
UNLESS SHOWN OTHERWISE

**TORINDRIVE**  
NORTH AMERICA  
A Brand of HYPERION

[www.torindrivena.com](http://www.torindrivena.com)

4949 E. Raines Road #101  
Memphis, TN 38118  
Phone: 1-877-622-2888  
Fax: 901-290-1680

TGD1 LONG ROPE GUARD

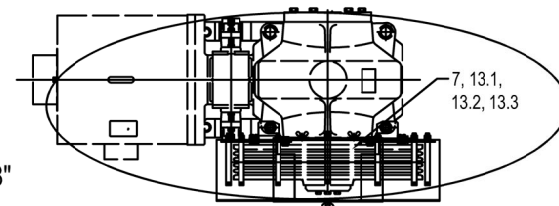
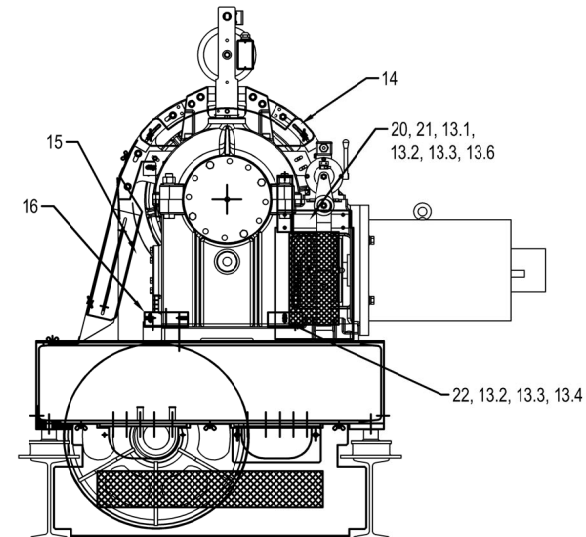
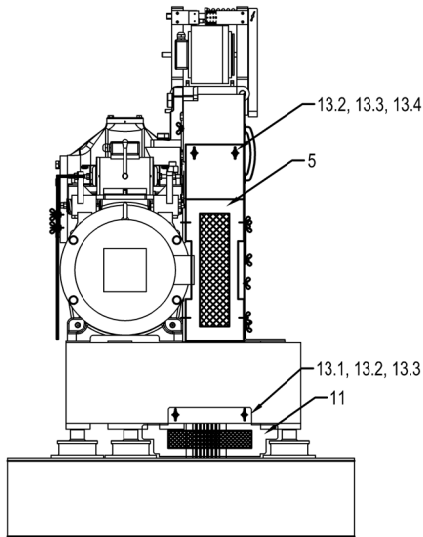
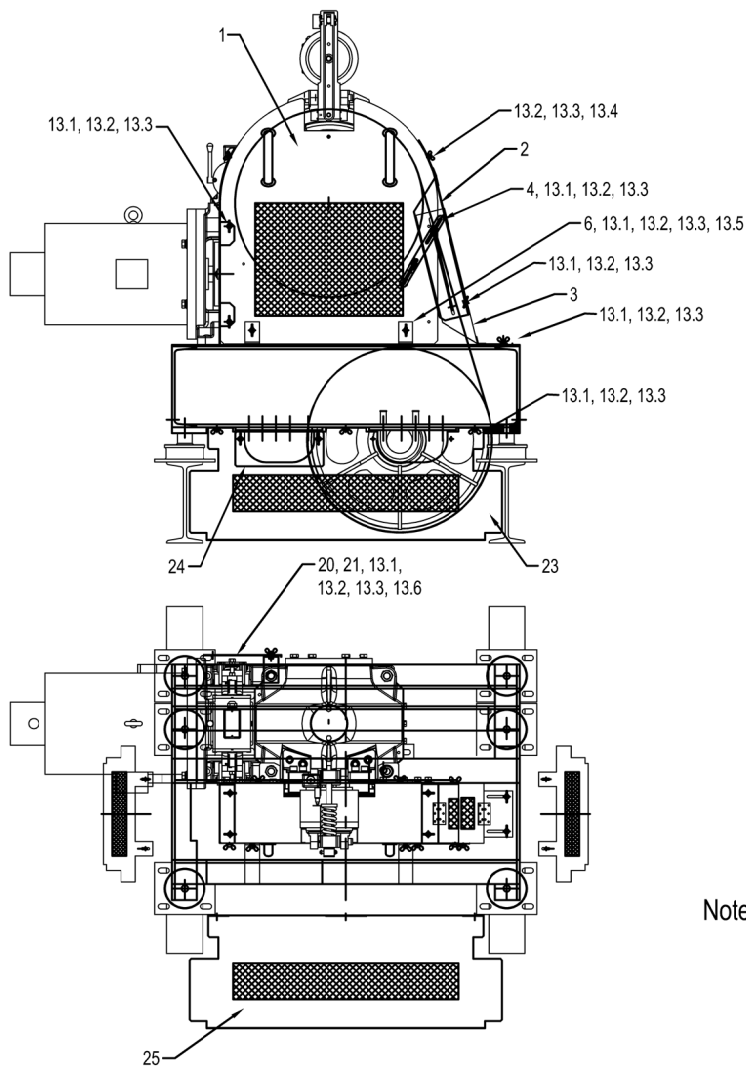


Note: Works for Rope Drops Between 30" and 58"

Copyright - All information contained in this drawing is property of Torin Drive North America

DRAWING NO:		SRG-TGD1	Sheet 1 of 3
DESCRIPTION:		TGD1 Rope Guard Kit	
	<b>MATERIALS:</b>	<b>Scale:</b>	<b>GENERAL TOLERANCES:</b> >6-30mm: ±0.2 [0.008] >30-120mm: ±0.3 [0.012] >120-400mm: ±0.5 [0.020] >400-1000mm: ±0.8 [0.031] >1000-2000mm: ±1.2 [0.047]
	<b>ASSEMBLY</b>	<b>NTS</b>	
All Dimensions are in mm [Inches]			
Date	Rev.	ECO #	Des/App
05/12/20	-	-	LH/BG
2/8/22	A	-	CS/SY
01/12/24	B	24ECO0021	DN/BG
			UNLESS SHOWN OTHERWISE  A Brand of HYPERION <a href="http://www.torindrivena.com">www.torindrivena.com</a> 4949 E. Raines Road #101 Memphis, TN 38118 Phone: 1-877-622-2888 Fax: 901-290-1680

TGD1 SHORT ROPE GUARD



Note: Works for Rope Drops Between 30" and 58"

Copyright - All information contained in this drawing is property of Torin Drive North America

DRAWING NO:		SRG-TGD1	Sheet 2 of 3
DESCRIPTION:		TGD1 Rope Guard Kit	
		<b>MATERIALS:</b> ASSEMBLY	<b>Scale:</b> NTS
All Dimensions are in mm [Inches]			
Date	Rev.	ECO #	Des/App
05/12/20	-	-	LH/BG
2/8/22	A	-	CS/SY
01/12/24	B	24ECO0021	DN/BG

GENERAL TOLERANCES:

- >6-30mm: ±0.2 [0.008]
- >30-120mm: ±0.3 [0.012]
- >120-400mm: ±0.5 [0.020]
- >400-1000mm: ±0.8 [0.031]
- >1000-2000mm: ±1.2 [0.047]

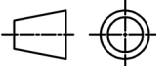
UNLESS SHOWN OTHERWISE



[www.torindrivena.com](http://www.torindrivena.com)  
4949 E. Raines Road #101  
Memphis, TN 38118  
Phone: 1-877-622-2888  
Fax: 901-290-1680

BILL OF MATERIAL				
SR.	PART #	DESCRIPTION	NOTE	QTY
1	SRG-TGD1-001	TGD1 Main Sheave Guard		1
2	SRG-TGD1-002	TGD1 Deflector Side Upper Rope Guard		1
3	SRG-TGD1-Long-001	TGD1 Deflector Side Lower Rope Guard	Long Kit Only	1
4	SRG-TGD-001	TGD Rope Guard Support Plate		1
5	SRG-TGD1-003	TGD1 Car Side Rope Guard		1
6	SRG-TGD1-004	TGD1 Rope Guard L Bracket		2
7	SRG-TGD1-005	TGD1 Sheave Brake Cover		1
8	SRG-SBLT-Long-001	Deflector Sheave Guard for SBLT-Long-TGD/TMGL-Right	Long Kit Only	1
9	SRG-SBLT-Long-002	Deflector Sheave Guard for SBLT-Long-TGD/TMGL-Left	Long Kit Only	1
10	SRG-SBLT-Long-003	Deflector Hole Cover for SBLT-Long-TGD/TMGL	Long Kit Only	1
11	SRG-SBLT-001	Bedplate Side Guard for SBLT-Long-TGD/TMGL and SBLT-Short-TGD		2
12	SRG-SBLT-Long-004	Bedplate Back Guard for SBLT-Long-TGD/TMGL	Long Kit Only	2
13	SRG-HDW-TGD	Hardware Kit for TGD1/TGD2 Rope Guard		1
	13.1	Wing Bolts M6x16		50
	13.2	Lock washer Ø6		50
	13.3	Flat washer Ø6		50
	13.4	Wing nut M6		4
	13.5	Beam Clamp		8
	13.6	Nut M24		1
14	SRG-TGD-002	TGD1/2 Rope Guard Plate		1
15	SRG-TGD-003	TGD1/2 Rear Rope Guard		1
16	SRG-TGD-004	TGD1/2 Rope Guard Rear Bracket		1
17	SRG-TMGL-008	TMGL Deflector Side Connecting Plate	Long Kit Only	2
18	SRG-SBLT-Cover-003	Bedplate top cover 3 for SBLT-Long-TGD/TMGL	Long Kit Only	1
19	SRG-SBLT-Cover-004	Bedplate top cover 4 for SBLT-Long-TGD/TMGL	Long Kit Only	2
20	SRG-TGD-005	TGD1/2 Normal Brake Guard	Long Kit Only	1
21	SRG-TGD-006	TGD1/2 Normal Brake Guard Bracket	Long Kit Only	1
22	SRG-TGD-007	TGD1/2 Normal Brake Guard Lower Bracket	Long Kit Only	1
23	SRG-SBLT-Short-001	Deflector Sheave Guard for SBLT-Short-TGD	Short Kit Only	1
24	SRG-SBLT-Short-002	Deflector Hole Cover for SBLT-Short-TGD	Short Kit Only	1
25	SRG-SBLT-Short-003	Bedplate Back Guard for SBLT-Short-TGD	Short Kit Only	1

Copyright - All information contained in this drawing is property of Torin Drive North America

DRAWING NO:		SRG-TGD1	Sheet 3 of 3	
DESCRIPTION:		TGD1 Rope Guard Kit		
	MATERIALS: ASSEMBLY		Scale: NTS	
All Dimensions are in mm [Inches]				
Date	Rev.	ECO #	Des/App	
05/12/20	-	-	LH/BG	
2/8/22	A	-	CS/SY	
01/12/24	B	24ECO0021	DN/BG	

GENERAL TOLERANCES:

>6-30mm: ±0.2 [0.008]  
>30-120mm: ±0.3 [0.012]  
>120-400mm: ±0.5[0.020]  
>400-1000mm: ±0.8 [0.031]  
>1000-2000mm: ±1.2 [0.047]

UNLESS SHOWN OTHERWISE

**TORINDRIVE**  
NORTH AMERICA  
A Brand of HYPERION

[www.torindrivena.com](http://www.torindrivena.com)  
4949 E. Raines Road #101  
Memphis, TN 38118  
Phone: 1-877-622-2888  
Fax: 901-290-1680