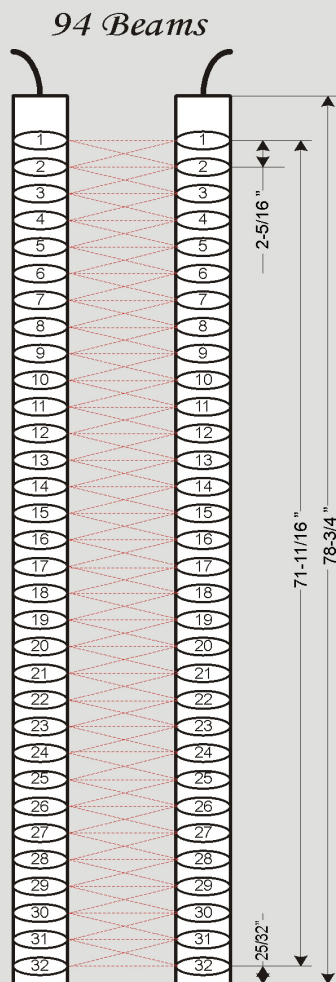


WECO-957P

Universal Model



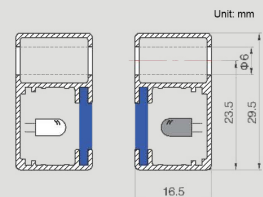
Advantages:

- Cables are true traveling cables with plug-in connectors
- Immune to sunlight, software and hardware redundancy
- Universal model covers both center opening and side opening
- Nudging included in PWS957-120VAC and PWS957-265VAC



WITH NPN or PNP OUTPUT

PLUG-PLAY CONNECTOR



ALUMINUM PROFILE

Power Supply Options:



PWS957-265VAC
24VDC
85-265VAC
90-300VDC



PWS957-120VAC



PWS917-24VDC



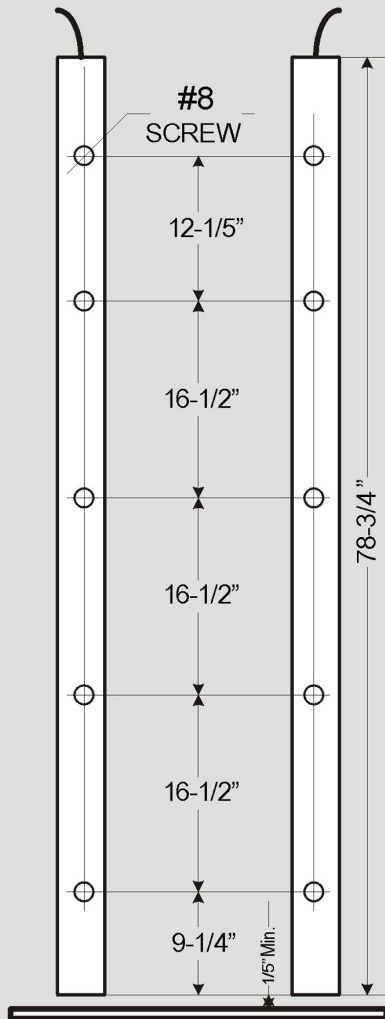
WECO® ELEVATOR PRODUCTS LTD.

T: 1-289-232-2088 F: 1-866-466-1635
E: info@wecocanada.com W: www.wecocanada.com



WECO957P Universal Model

WECO ELEVATOR DOOR DETECTOR



WECO957P

TECHNICAL FEATURES

Dimension	17mm × 30mm × 2000mm
Number of infra-red beams	94 Non-parallel
Number of diodes	32 pairs
Scan mode	3 ways
Response time	65ms
Diodes spacing	59mm
Operating range	0...3000mm(Max.4000mm as required)
Detecting height	20mm...1841mm
Infra-red pulses ratio	1:2
Max.ambient light(sunlight)	≥100,000LUX
Linear tolerance	± 15mm vertical, ± 4mm horizontal
Connection flexible cables	3,500mm × 2(Super strong flexible cables)
System indicators	Normal-Interrupted-Faulty
LED indicators	Green LED × 1, Red LED × 1
Operating temperature range	-20℃ -65℃
Storage temperature range	-40℃ -85℃
IP Rate	IP54
Isolation	≥1500V

Power Unit PWS957_120

Dimension	50mm × 60mm × 190mm
Operating Voltage	120VAC +/-15%, 60HZ
Enclosure	Steel cartop box
Output relay capacity	1NO+1NC(AC120V,8A or DC24V,8A)
Operation life	≥ 10 ⁷
Power consumption	3VA
Buzzer functions	OFF-ON-Timer
Buzzer delay/Nudging delay	45S,60S(USA)/20S,30S(CAN)
Buzzer active	60s,infinite
Buzzer setting	USA,CAN

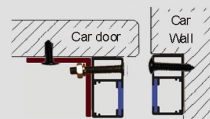
Power Unit PWS957_24

Dimension	37mm × 42mm × 75mm
Operating voltage	24VDC
Enclosure	Aluminium module
Output relay capacity	1NO+1NC(AC120V,1A or DC24V,1A)
Operation life	≥ 10 ⁷
Power consumption	≤ 3VA



WECO957P Infrared Door Detector & accessories

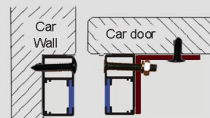
Left Side Opening



WECO957P-120VAC

120VAC +/-15%, 60HZ
2 Relays including nudging, Dry contact, NO/NC, 120VAC or 24VDC, 8A

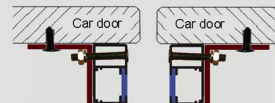
Right Side Opening



WECO957P-265VAC

85-265VAC +/-10%, 90-300VDC +/-10%, 24VDC +/-10%
2 Relays including nudging, Dry contact, NO/NC, 120VAC or 24VDC, 8A

Central Opening



WECO957P-24VDC

24VDC +/-10%
1 Relay, Dry contact, NO/NC, 120VAC or 24VDC, 1A

WECO957P-NPN

12-24VDC +/-10%
NPN Transistor, with Plug & Play Connector 50MA

WECO957P-PNP (Custom)

12-24VDC +/-10%
PNP Transistor with Plug & Play Connector, 50MA