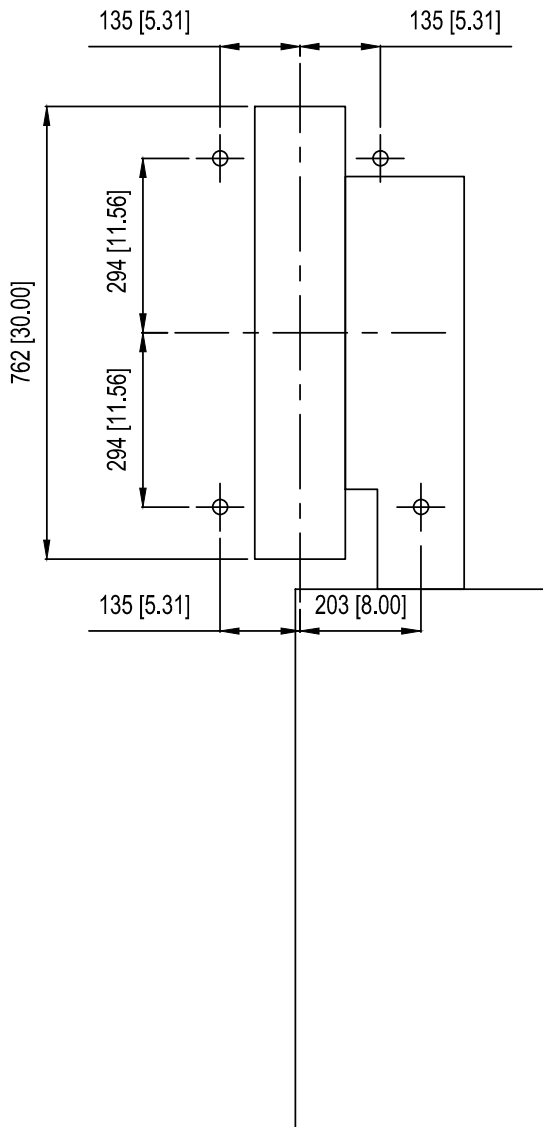
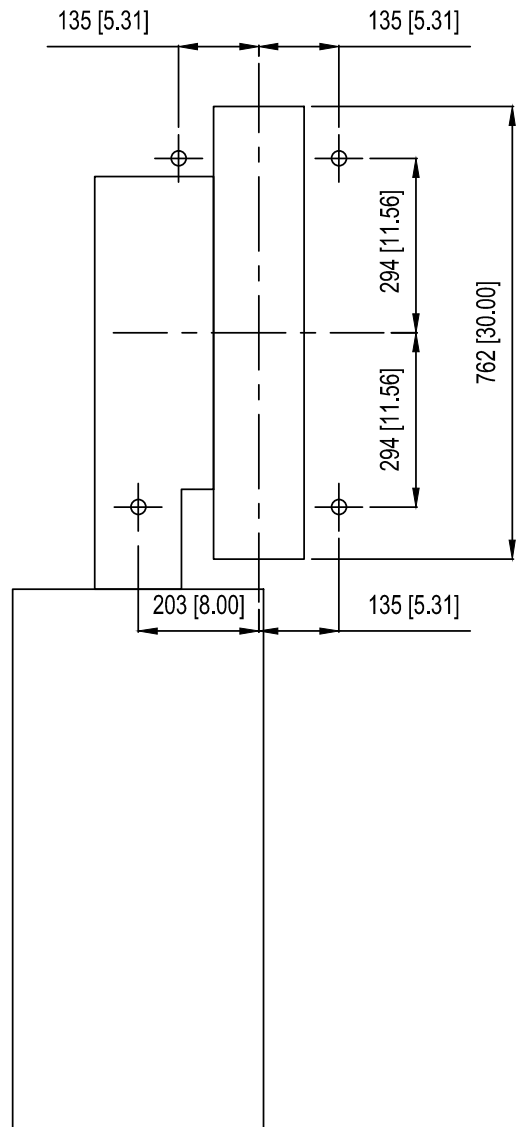


Westinghouse 28 (4) 1.00" Anchors

Left Hand



Right Hand

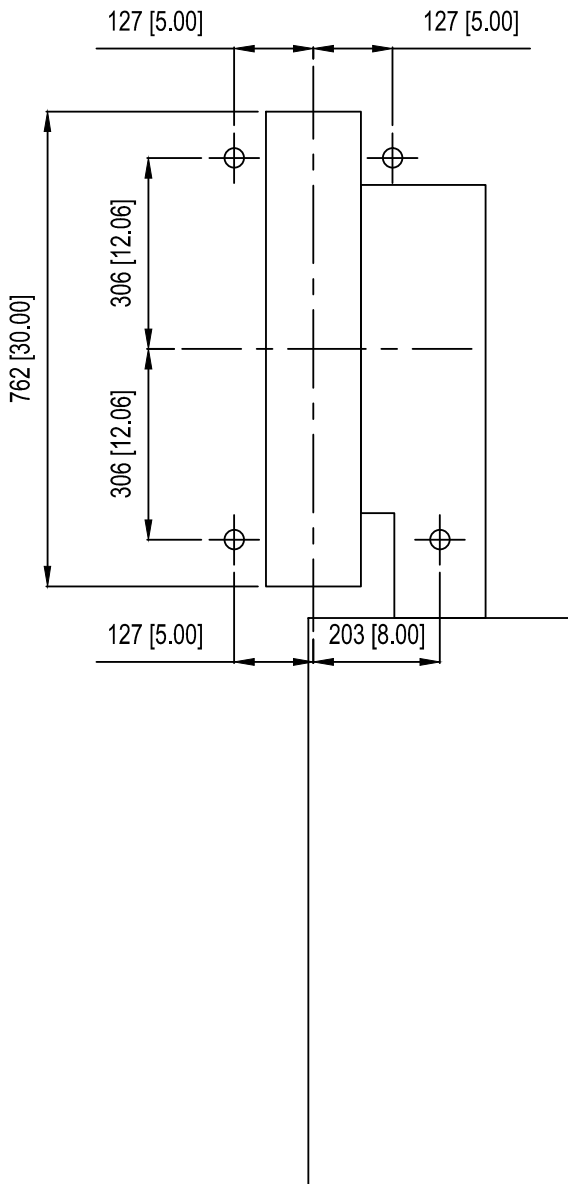


Please confirm all dimensions above are accurate.

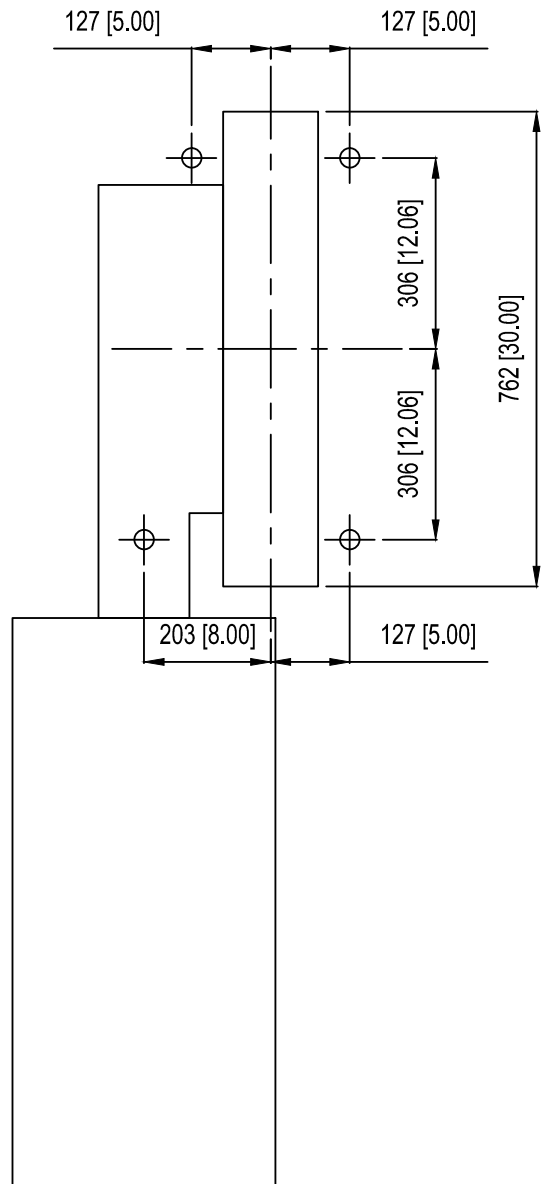
All measurements are taken from the sheave centerline and sheave shaft centerline.
TDNA cannot be held responsible if on-site conditions differ from drawing above unless revised anchor drawing is approved.

Westinghouse 38 (4) 1.25" Anchors

Left Hand



Right Hand



Please confirm all dimensions above are accurate.

All measurements are taken from the sheave centerline and sheave shaft centerline.
TDNA cannot be held responsible if on-site conditions differ from drawing above unless revised anchor drawing is approved.

TORINDRIVE

NORTH AMERICA

A Brand of **HYPERION**

Questions? Call 901-730-5480 or
Email torindrive@hyperion-solutions.com

Traction Machine Survey				
Project Name				
Contract Number				
Seismic Provisions Required? (Yes, No)				
Project Address				
Consultant				
SECTION #1 - For Bidding				
Car ID Numbers				
Required	Geared or Gearless			
	Machine Location (MRL, Overhead, for basement refer to basement survey)			
	Roping Ratio (1:1, 2:1)			
	Elevator Capacity (lbs)			
	Elevator Speed (fpm)			
	Travel (ft) (If not available, 12' per floor can be assumed)			
	Machine Shape (MRL Only) (Pancake, Sausage)			
Existing Rope Diameter Size (8mm, 10mm, 1/2", 5/8", 3/4")				
Will New Rope Diameter Need to Match Existing? (Yes, No)				
Drive Output Voltage (208-230V, 460-480V)				
Drive Manufacturer (KEB, Magnetek, Yaskawa, Other)				
Encoder Cable Length (30', 50' for geared) (10m, 20m, 37m, 50m, 60m for gearless)				
System Options (leave blank if no preference)				
Empty Car Weight (lbs) (Will assume 1.5x capacity if blank)				
Preferred Counterweight (%) (range: 40-50)				
Emergency Brake Option (Check One, list preferred HW model if selected)	TDNA Standard (Default)			
	HW Rope Gripper (620, 622, 624, 626, etc.)			
Existing Compensation Density (if re-using)				
Weight of Existing Compensation Sheave (lbs)				
Double Wrap Roping Required? (Yes, No)				
Specified Acceleration Rate (ft/s ²)				
Items to Quote: (Check All Required)	Machine			
	Bedplate			
	Rope Guard			
	Deflector			
	Encoder Cable			

TORINDRIVE

NORTH AMERICA

A Brand of HYPERION

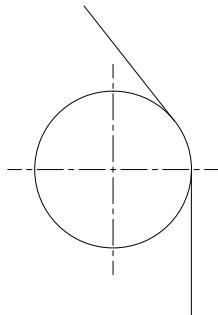
Basement Inputs (required for all configurations)	
Basement Configuration (see pages 6-8)	
Machine Hand	
Existing Machine / Anchor Pattern	
Existing Anchor Bolt Height	
Existing Anchors Fully Threaded	
Existing Sheave Diameter	
Existing Rope Diameter	
Existing Rope Number	
Existing Pitch	
A Configuration Inputs	
MR1	
MR2	
MR3	
MR4	
B Configuration Inputs	
MR1	
MR2	
MR3	
DF1	
DF2	
RD	
C Configuration Inputs	
MR1	
MR2	
MR3	
DF1	
DF2	
DF3	
DF4	

TORINDRIVE

NORTH AMERICA

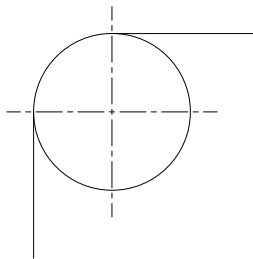
A Brand of HYPERION

Overhead / Deflector / Compounding Sheave					
Location					
Sheave Type					
Quantity					
Sheave Diameter, D					
Max Allowable Width, W (in)					
Required Shaft Diameter, d (in) (if any)					
Shaft Type					
L1					
L2					
L3					
L4					
L5					
L6					

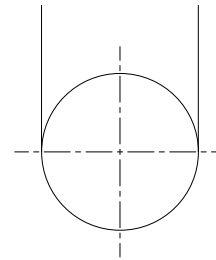


A
Deflector (<90° Wrap)

Shaft Type A

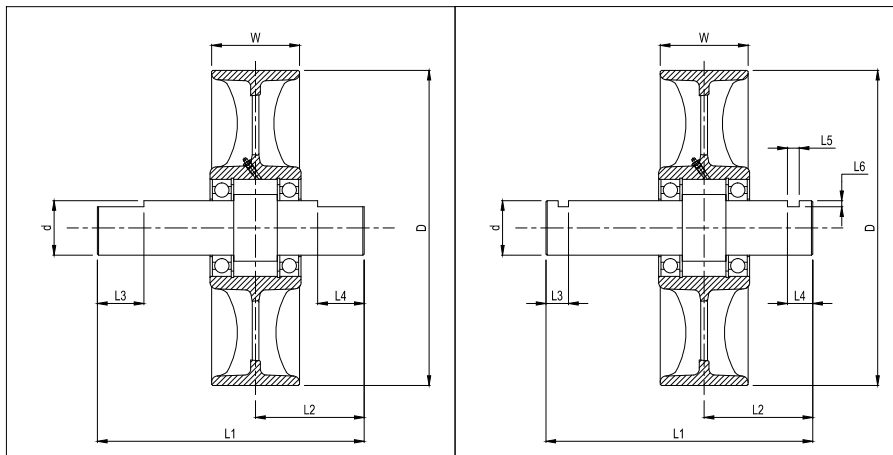


B
90° Wrap

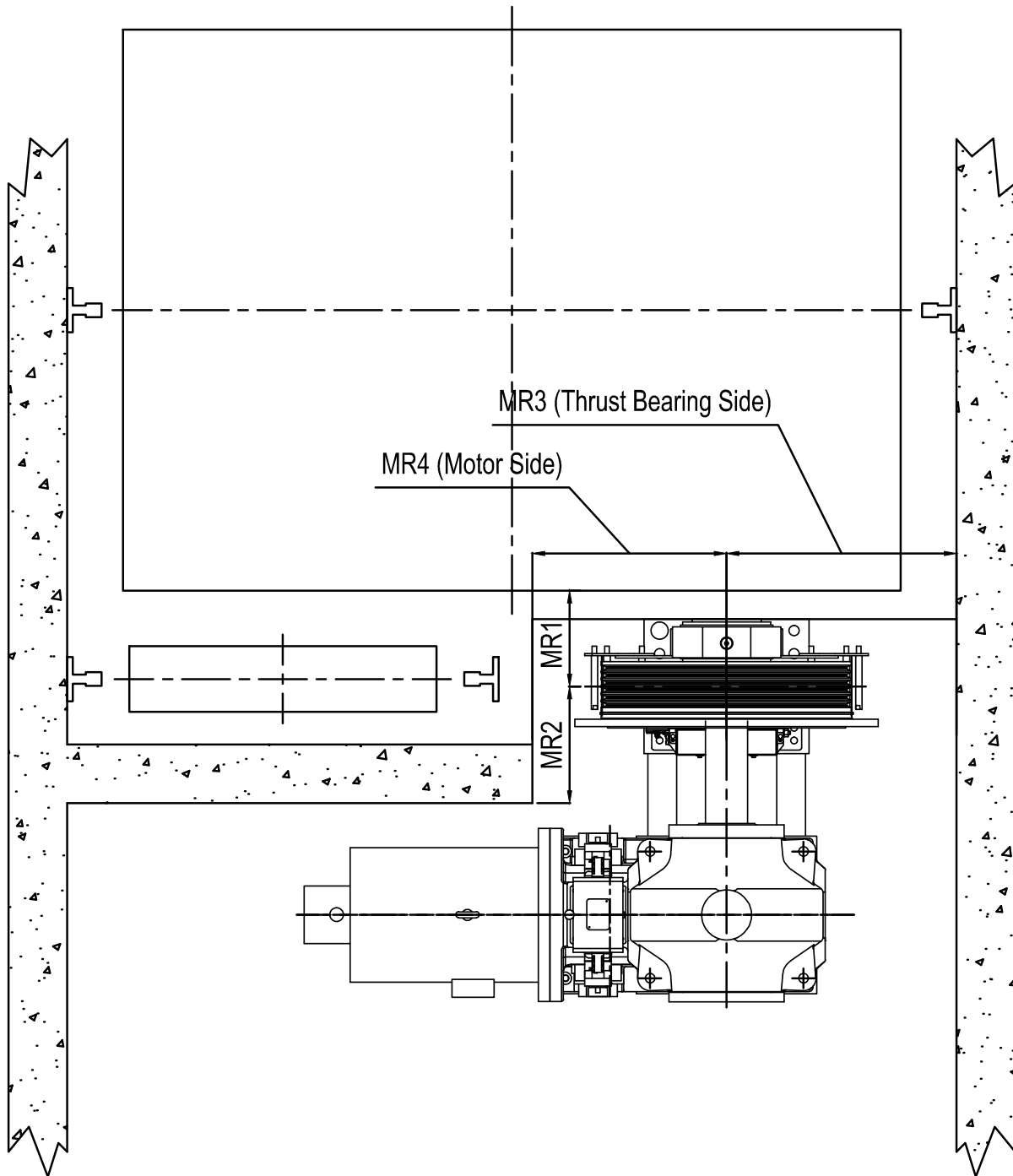


C
180° Wrap

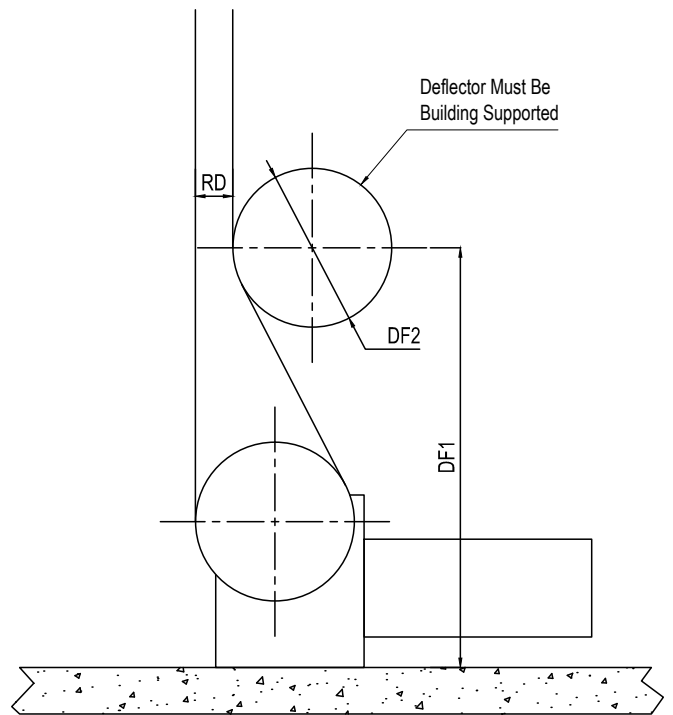
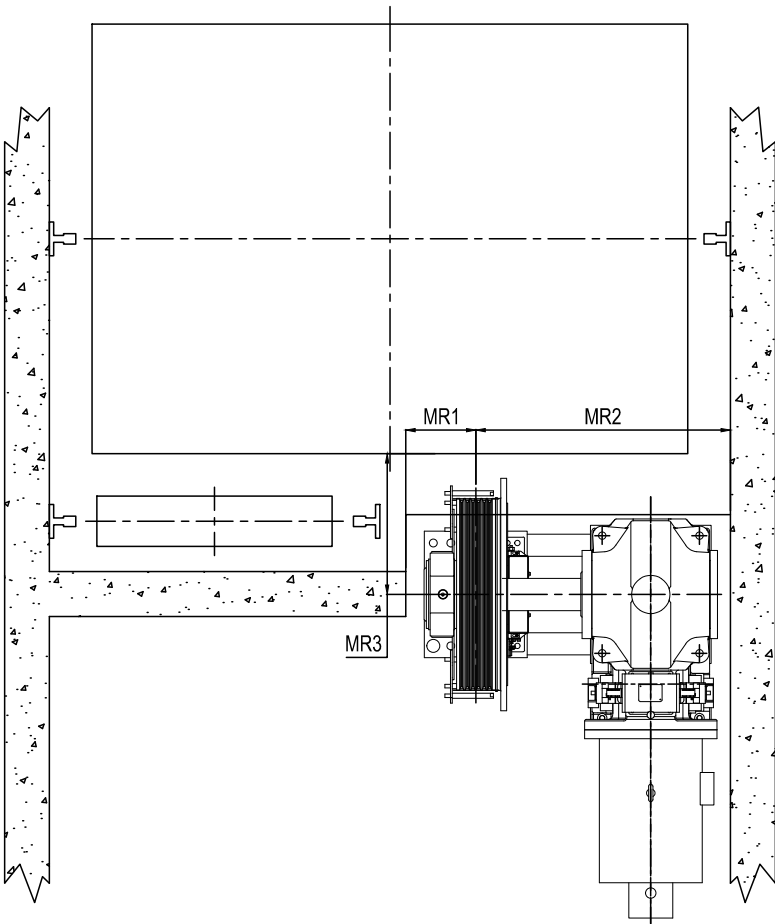
Shaft Type B



Basement Configuration A



Basement Configuration B



Basement Configuration C

